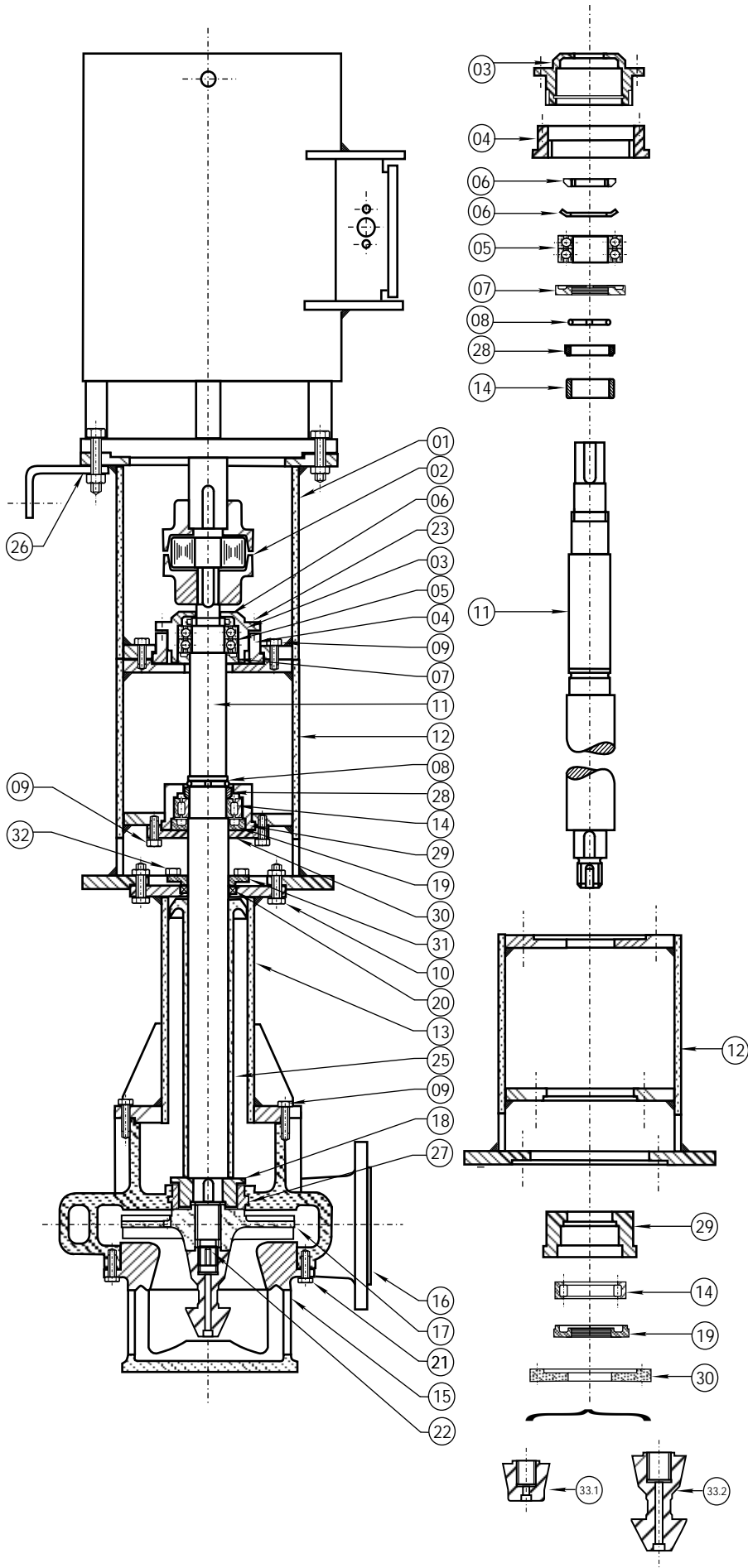




SERIES 700/1000 MK3 GENERAL ARRANGEMENT AND PARTS LIST

Ref No: 700.MK3.GA/01a
Rev: 0
20-6-2011



Part No	Description
01	Motor Pedestal
02	Coupling (complete)
02E	Coupling Element
03	Thrust Bearing Housing
04	Bearing Pedestal
05	Thrust Bearing 3310EC3
06	Lock-Nut & Washer
07	Bearing Retaining Ring
08	Snap Ring Dia 65 ext.
09	M16 x 55 Bolt
10	M16 x 55 XOX
11	Shaft
12	Upper Column
13	Lower Column
14	Lower Bearing NU2213 EC3
15	Suction Inlet
16	Casing
17	Impeller
18	Flinger
19	Seal Ring
20	Gland Packing
21	M12 x 30 bolt
22	M8 x 100 Cap Screw
23	M8 x 35 cap screw
24	Bearing Cartridge Assembly
25	Shaft Sleeve
26	Pump Bracket
27	Casing Insert
28	Lower Brg. Spacer
29	Lower Brg. Housing
30	Retaining Plate
31	Gland Follower
32	M12 x 50 XOX
33.1	Impeller Lock Nut
33.3	Agitator 700 Series

19 IMVUBU ROAD P.O. BOX 1381
SEBENZA, EXT 6 EDENVALE
EDENVALE SOUTH AFRICA
SOUTH AFRICA 1610
1609

TEL: 0861 RNEPUMPS TEL: +27 (11) 452-3528

rne@rnepumps.com www.rnepumps.com