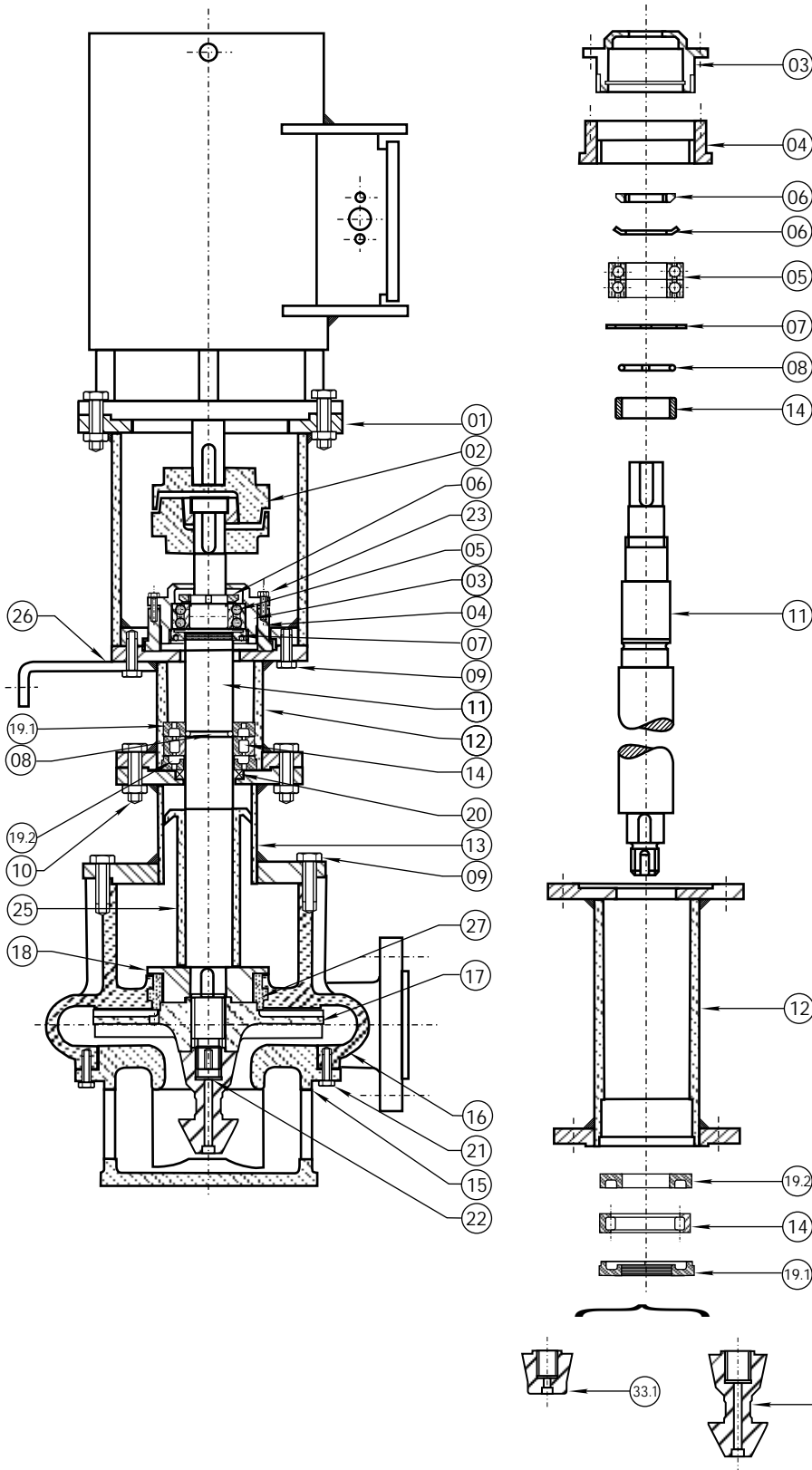




# SERIES 300 MK3 GENERAL ARRANGEMENT AND PARTS LIST

Ref No: 300MK3.GA/01a  
Rev: 0  
Date: 14-6-2011



Part No	Description
01	Motor Pedestal
02	Coupling (complete)
02E	Coupling Element
03	Thrust Bearing Housing
04	Bearing Pedestal
05	Thrust Bearing 6209 E C3 (set)
06	Lock-Nut & Washer
07	Bearing Retaining Ring & Circlip
08	Snap Ring Dia 55 ext.
09	M16 x 40 bolt
10	M16 x 55 XOX
11	Shaft
12	Upper Column
13	Lower Column
14	Lower Bearing NU211-C3
15	Suction Inlet
16	Casing
17	Impeller
18	Flinger
19.1	Seal Ring
19.2	Seal Ring
20	Gland Packing
21	M12 x 30 bolt
22	M8 x 100 cap screw
23	M8 x 25 bolt
24	Bearing Cartridge Assembly
25	Shaft Sleeve
26	Pump Bracket
27	Casing Insert
33.1	Impeller Lock Nut
33.2	Agitator 2 Pole
33.4	Agitator 4 Pole

19 IMVUBU ROAD SEBENZA, EXT 6 EDENVALE SOUTH AFRICA 1609	P.O. BOX 1381 EDENVALE SOUTH AFRICA 1610
TEL: 0861 RNEPUMP	TEL: +27 (11) 452-3528
<a href="mailto:rne@rnepumps.com">rne@rnepumps.com</a>	<a href="http://www.rnepumps.com">www.rnepumps.com</a>