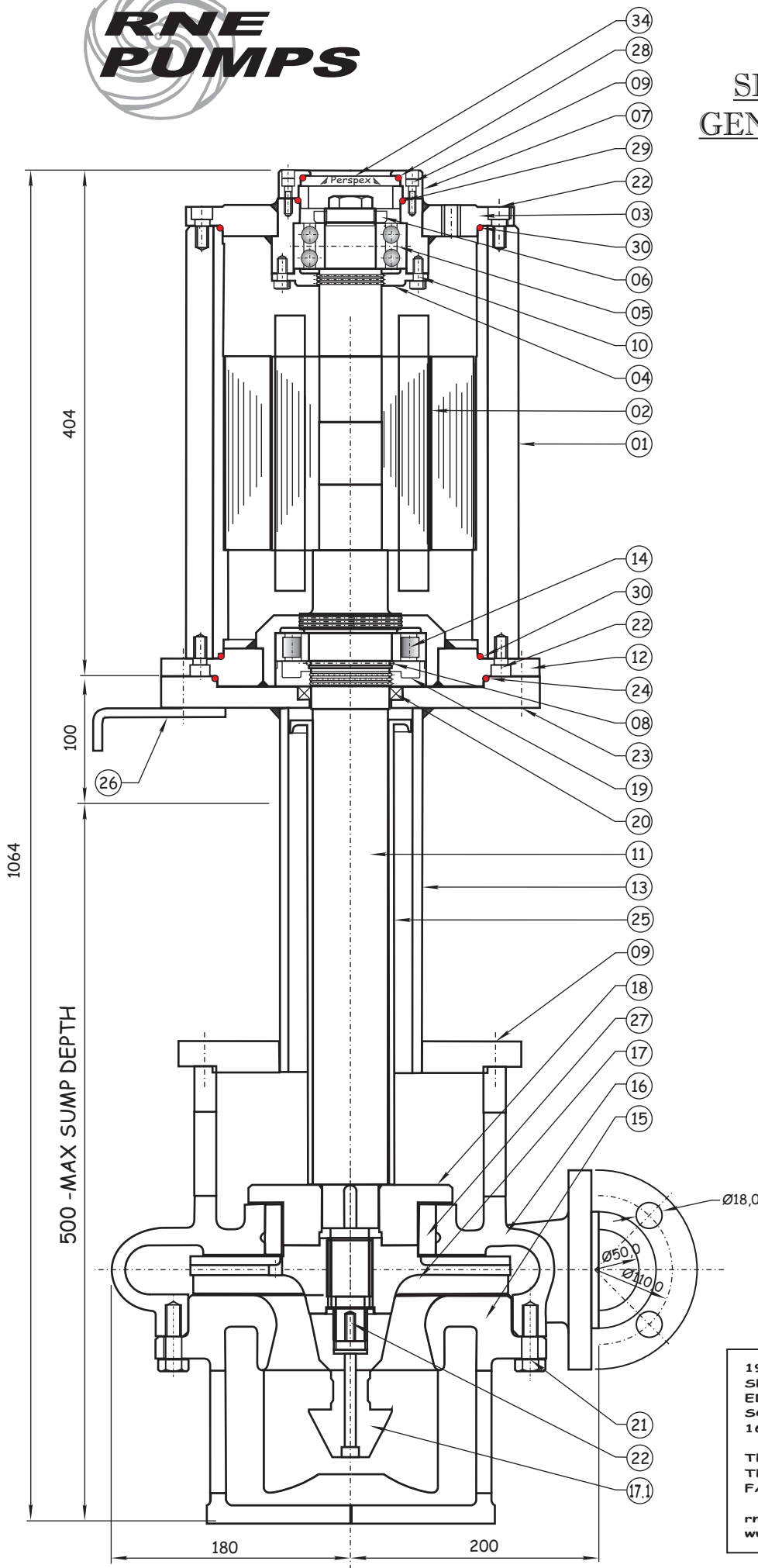
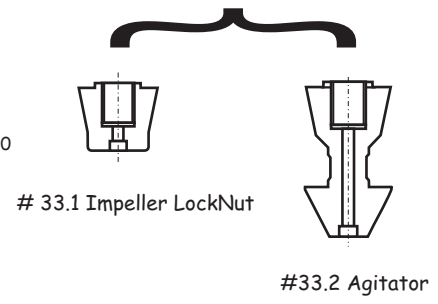


SERIES 500 : MODEL PJ GENERAL ARRANGEMENT AND PARTS LIST



PT	Description
01	Motor Barrel
02	Rotor/Stator
03	Non Drive End Endshield
04	Drive End Endshield
05	Thrust Bearing 3308B ZZ C3
06	Lock-Nut AN8 & Washer AW8
07	Non Drive End Bearing Cover
08	Snap Ring Dia 65 ext.
09	M6 x 25 Cap Screw x 4
10	M8 x 25 Cap Screw x 8
11	Shaft
12	Non Drive End Bearing Cap
13	Lower Column
14	Lower Bearing NU213-EC3
15	Suction Inlet
16	Casing
17	Impeller
18	Flinger
19	Seal Ring
20	Gland Packing
21	M12 x 30 Bolt x 8
22	M8 x 30 Cap Screw x 1
23	M16 x 55 XOX x 4
24	O-Ring \varnothing 4,0 x 210 ID
25	Shaft Sleeve
26	Pump Bracket
27	Casing Insert
28	O-Ring \varnothing 3,0 x 80 OD
29	O-Ring \varnothing 3,0 x 80 OD
30	O-Ring \varnothing 4,0 x 200 ID
31	Cable 7mm x 500mm Long
32	Cable Gland (CCG 1 FLPTR 20)
33.1	Impeller Lock Nut
33.2	Agitator
34	Perspex Window
35	M16 x 40 Bolt x 4
36	Chain 10mm x 5m



19 IMVUBU ROAD
SEBENZA, EXT 6
EDENVALE
SOUTH AFRICA
1609

P.O. BOX 1381
EDENVALE
SOUTH AFRICA
1610

TEL: 0861 RNEPUMP
TEL: +27 (11) 452-3528
FAX: +27 (11) 452-2332

rne@rnepumps.com
www.rnepumps.com