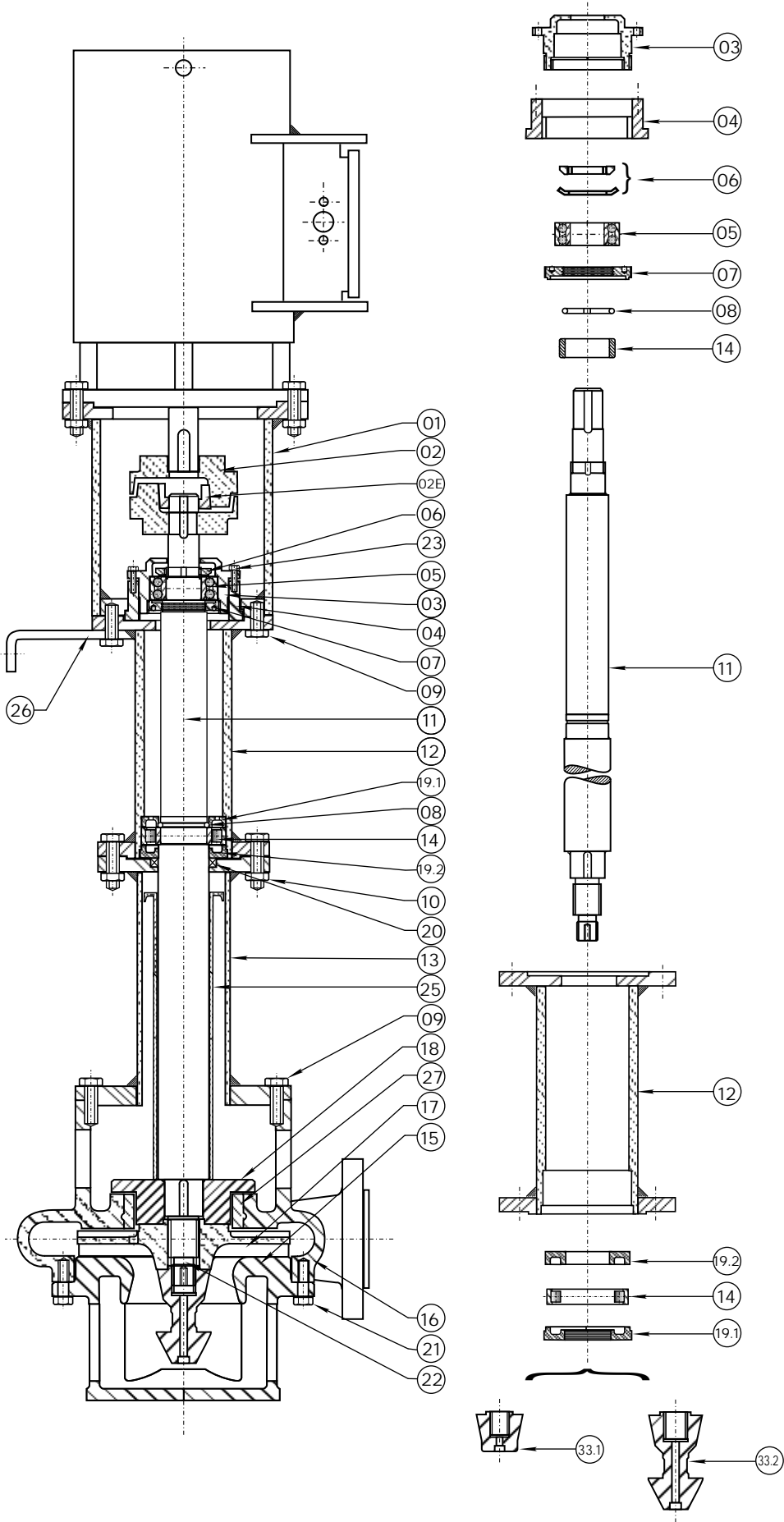




SERIES 500 MK 3

GENERAL ARRANGEMENT AND PARTS LIST

Ref No: 500.MK3.GA/01a
Rev: 3
Date: 02-06-2011



Part No	Description
01	Motor Pedestal
02	Coupling (complete)
02E	Coupling Element
03	Thrust Bearing Housing
04	Bearing Pedestal
05	Thrust Bearing 6209 E C3 (set)
06	Lock-Nut & Washer
07	Bearing Retaining Ring & Circlip
08	Snap Ring Dia 55 ext.
09	M16 x 40 bolt
10	M16 x 55 XOx
11	Shaft
12	Upper Column
13	Lower Column
14	Lower Bearing NU211-C3
15	Suction Inlet
16	Casing
17	Impeller
18	Flinger
19.1	Seal Ring
19.2	Seal Ring
20	Gland Packing
21	M12 x 30 bolt
22	M8 x 100 Cap Screw
23	M8 x 25 bolt
24	Bearing Cartridge Assembly
25	Shaft Sleeve
26	Pump Bracket
27	Casing Insert
33.1	Impeller Lock Nut
33.2	Agitator 2 Pole
33.4	Agitator 4 Pole

19 IMVUBU ROAD P.O. BOX 1381
SEBENZA, EXT 6 EDENVALE
EDENVALE SOUTH AFRICA
SOUTH AFRICA 1610

TEL: 0861 RNEPUMPS TEL: +27 (11) 452-3528
rne@rnepumps.com www.rnepumps.com